



## DESCRIPTION

- **EN840 Certification**
- Body and cover in high strength HDPE
- Resistant to UV, cold, heat, and chemicals
- Lid opens 270 degrees and is fixed by robust shaft
- Smooth surfaces for easy cleaning
- Integral handle with textured surface to increase the comfort and the easiness of transport
- Wheels in wood and plastic composite with robust rubber tires and galvanized steel shaft, for silent displacement
- Wheels Ø 200mm
- Completely recyclable at life end

## EXTRA OPTIONS

- Foot Pedal
- Hot Stamping
- IML

### LID STANDARD COLORS

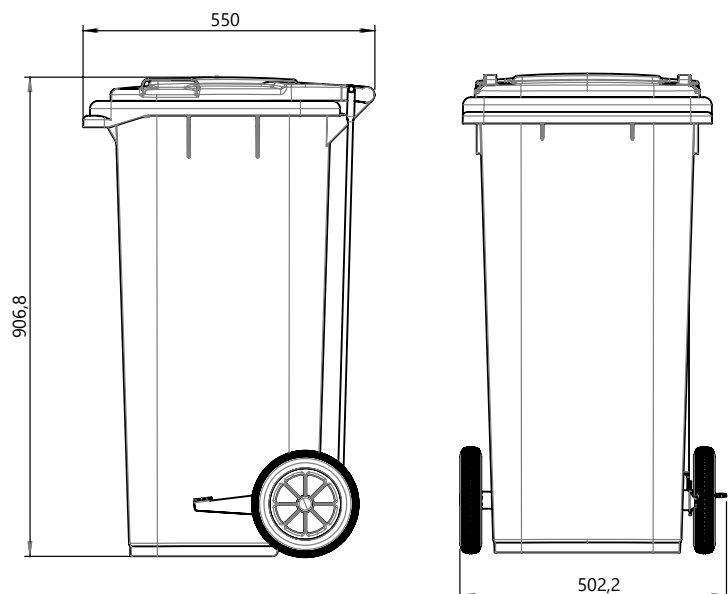


### BODY STANDARD COLORS



## TECHNICAL FEATURES

Capacity	120 l
Length	550mm
Width	470mm
Width Between Axis	500mm
Height	900mm
Height Without Lid	860mm
Ø Wheels	200mm
Weight	6,8kg
Load	60kg



## LOGISTIC DATA

Pallet	1200x1000mm
20' DC	360
40' DC	756
40' HC	924
90 cbm Truck	1144

## PRODUCT REFERENCES

### LID STANDARD COLORS



### BODY STANDARD COLORS



Body	Lid	Product Reference Without Foot Pedal	Product Reference With Foot Pedal
●	●	011.00601	011.00605
●	●	011.00629	011.00634
●	●	011.00630	011.00635
●	●	011.00631	011.00636
●	●	011.00632	011.00637
●	●	011.00633	011.00638
●	●	011.00618	011.00624
●	●	011.00615	011.00623
●	●	011.00617	011.00622
●	●	011.00620	011.00645
●	●	011.00619	011.00644
●	●	011.00603	011.00607
●	●	011.00625	011.00639
●	●	011.00627	011.00640
●	●	011.00616	011.00641
●	●	011.00628	011.00642
●	●	011.00602	011.00643
●	●	011.00626	011.00606
●	●	011.00612	011.00611
●	●	011.00609	011.00610